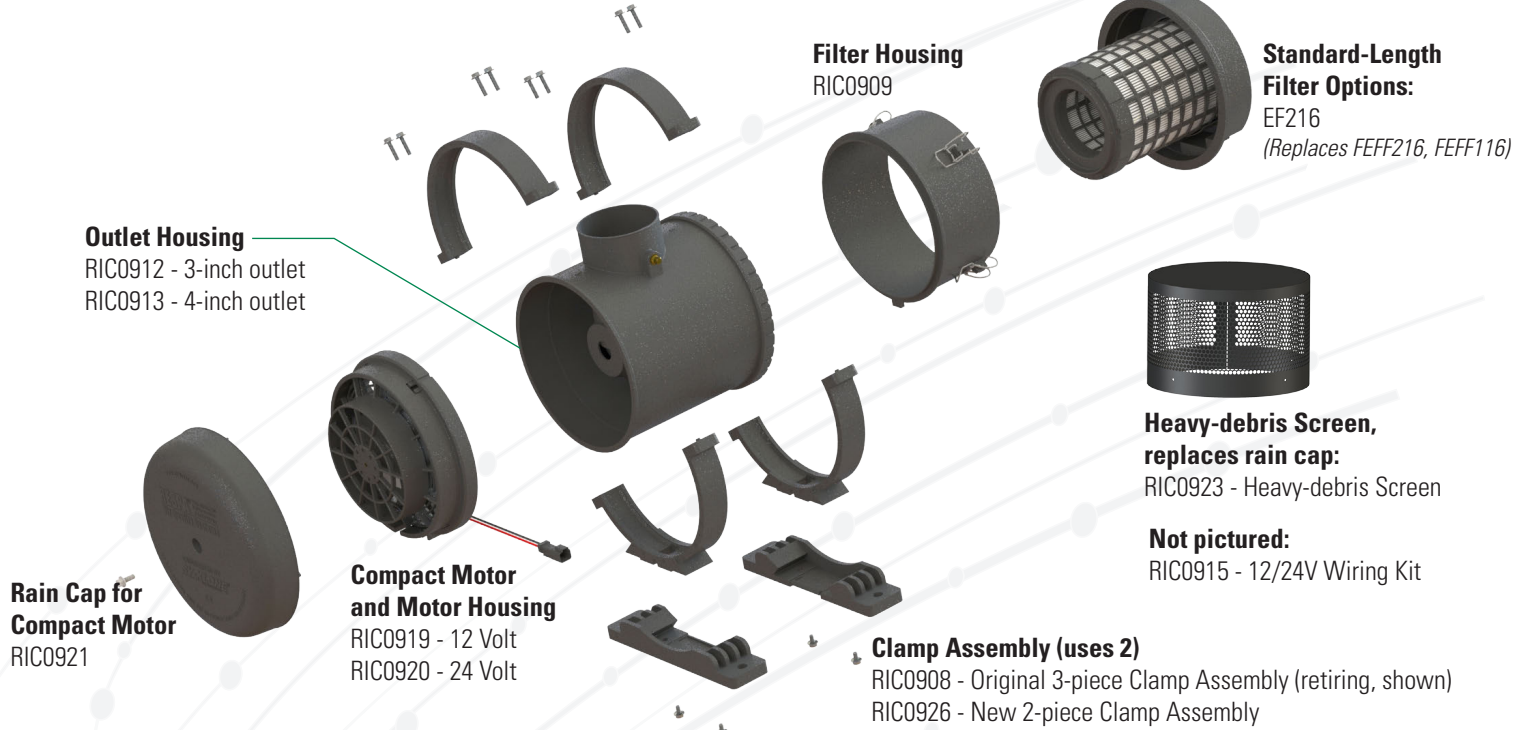


## Standard Length System with Compact Motor



## Extended Length System with Compact Motor

